



FLANGES

LAP JOINT -
FORGED 150# - 316 SS

FEATURES & APPLICATIONS:

- A flange is a method of connecting pipes, valves, pumps & other equipment to form a piping system.

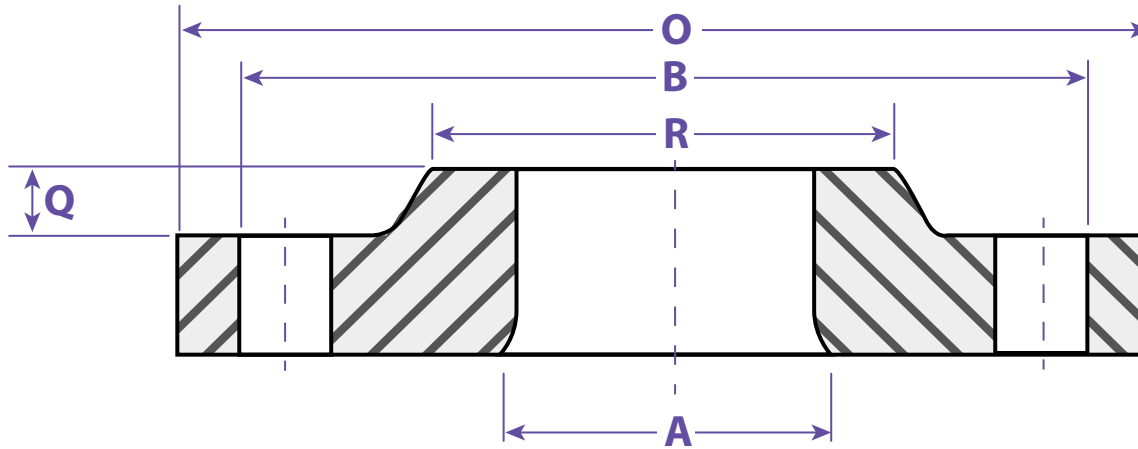


316 SS

| FORGED 150 | |
|------------|-----------|
| ID | 316 SS |
| 1-1/2" | LPJ150SS6 |
| 2" | LPJ200SS6 |
| 3" | LPJ300SS6 |
| 4" | LPJ400SS6 |
| 6" | LPJ600SS6 |



Information contained on this page is for general information purposes only. Seal Fast Inc. assumes no responsibility for errors or omissions for this product.



| Dimensions | | | | | | |
|------------|-------------|--|-------------------|--------------------|--------------------|-----------|
| Pipe Size | Overall Dim | Raised Face Q <small>(1/16 thickness)</small> | Raised Face Dim R | Bolt Holes # / Dim | Bolt Hole Circle B | Part # |
| A | O | Q | R | | B | |
| 1-1/2" | 5.00 | 0.68 | --- | 4-0.62 | 3.88 | LPJ150SS6 |
| 2" | 6.00 | 0.75 | --- | 4-0.75 | 4.75 | LPJ200SS6 |
| 3" | 7.50 | 0.94 | --- | 4-0.75 | 6.00 | LPJ300SS6 |
| 4" | 9.00 | 0.94 | --- | 8-0.75 | 7.50 | LPJ400SS6 |
| 6" | 11.00 | 1.00 | --- | 8-0.88 | 9.50 | LPJ600SS6 |

TITLE FLANGES - LAP JOINT / FORGED 150#

DISCLAIMER

All drawings and specifications are subject to change without notice. Drawings represent general dimensions of our products. Seal Fast cannot guarantee the dimensions of the part will exactly match those in the drawing. This drawing is the property of Seal Fast Inc. Copying or reproduction of this drawing is expressly prohibited.

MATERIAL

Stainless Steel 316

DRAWING NOT TO SCALE

PART #

LPJ...SS6

